

MegaLine® Connect45 PRO jack module

Keystone® format

Category 6A

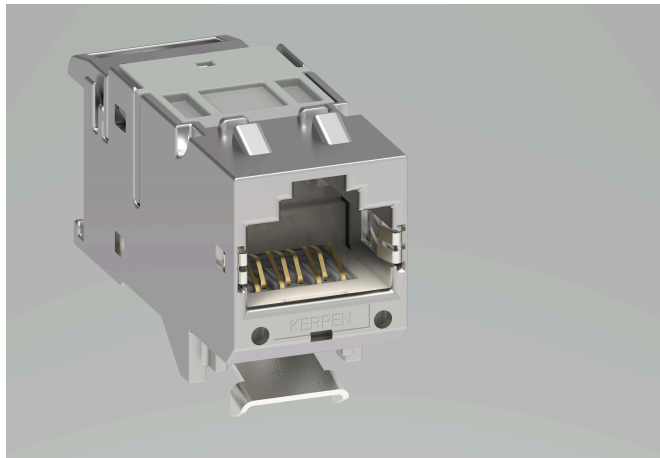
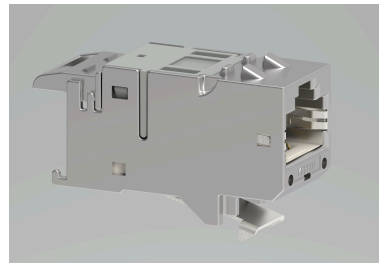


Illustration similar



Description

MegaLine® Connect45
 PRO jack module RJ45 Keystone® format.

Properties / applications

The performance characteristics correspond to Cat. 6A (ISO/IEC) up to 500 MHz. The requirements of the channel and permant link class E_A according to ISO/IEC 11801 Amd. 1/2 are fulfilled from 1 m. The length specifications refer to the 2-connector model. The jack module with toolless assembly is fully compatible with all system components of MegaLine® Connect45 Pro product family.

For installation in structured cabling acc.to ISO/IEC 11801 and EN 50173 and for transmission of analog and digital voice, image and data signals.

Constructive characteristics

Material (insulating parts) Polycarbonat
 Material FR4 (printed circuit board)
 Material contact area Gold plating

Construction

Material (housing) Full metal; die-cast zinc, nickel-plated
 Material FR4 (printed circuit board)
 Strain relief With cable tie

Electrical characteristics

Temperature range -40°C - +70°C
 Insertion force (max.) 30 N
 Insertion cycles (front) 1000 (min.)

Connections

Contacts AWG 26-22, tool-less
 Mating face RJ45
 suitable for conductor AWG 22, AWG 23, AWG 24,
 cross-section (AWG) AWG 26

MegaLine[®] Connect45 PRO jack module

Keystone[®] format

Category 6_A

Electrical characteristics (LF) at 20 °C

Contact resistance (max.)	max.	8 mΩ
Insulation resistance between contacts (min.)	min.	500 MΩ
Dielectric strength contact-contact (min.)	min.	1000 V DC/AC
Current rating (50 °C)		0,8 A

Dimensions

Width	14,6 mm
Height	21,9 mm
Depth	39,8 mm
Cable diameter area	max. 9.5 mm

Standards, certificates and approvals

Connector standard	IEC 60603-7-51
Mating durability	1000x min. acc.to IEC 61300-2-2
Cabling standard	ISO/IEC 11801, EN 50173-1
Power supply	IEEE 802.3bt (4PPoE), IEC 60512-99-001, IEC 60512-9-3
Quality seal with production control	GHMT PVP

Accessories (optional)

LKD9ZQ010010000 90° angled adapter
LKD9ZQ010030000 dust cap

Product name	PU (pieces)	Part number
MegaLine [®] Connect45 PRO jack module Keystone [®] format Category 6 _A	50	LKD9ZQ010000000